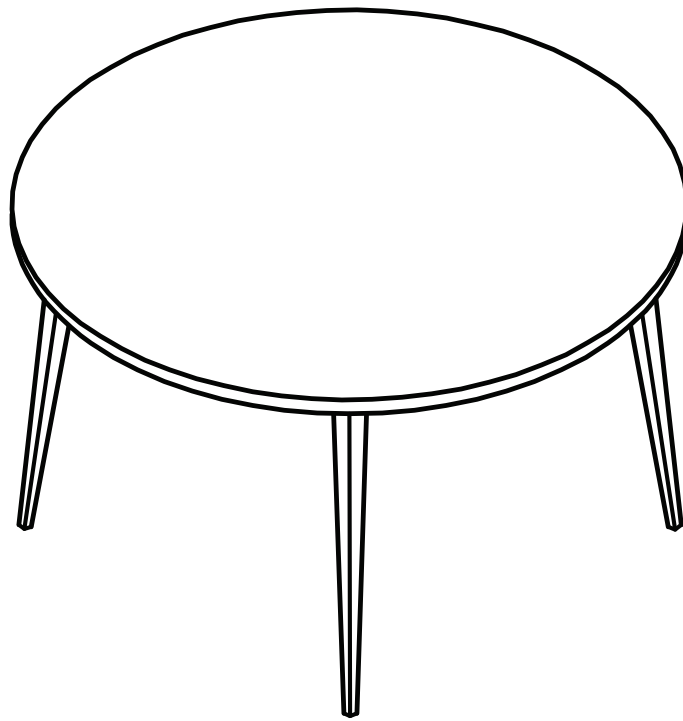


**SOLID WOOD ONLY**®

**KARPENTER**®  
Designed by Us Defined by Nature

# ASSEMBLY INSTRUCTIONS



**GRASSHOPPER**  
ROUND DINING TABLE 120



35 KG

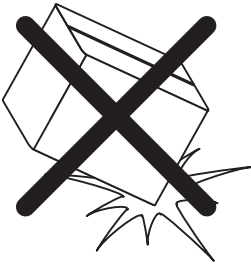


3/5 (AVERAGE)

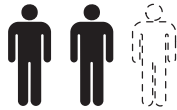
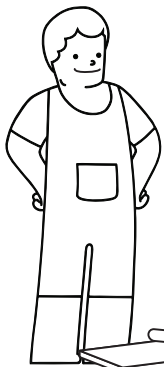


≈ 20 MINS

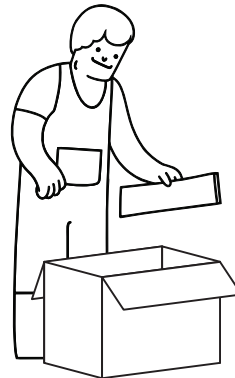
IT'S FINALLY ARRIVED!  
BEFORE ASSEMBLE  
THIS PRODUCT,  
PLEASE READ  
ALL INSTRUCTIONS  
CAREFULLY.



PLEASE BE CAREFUL  
WHEN ASSEMBLING AND  
TRY NOT TO DROP  
THE SOLID WOOD  
COMPONENTS.



THIS CART REQUIRES  
2 PEOPLE TO DO  
ASSEMBLY.



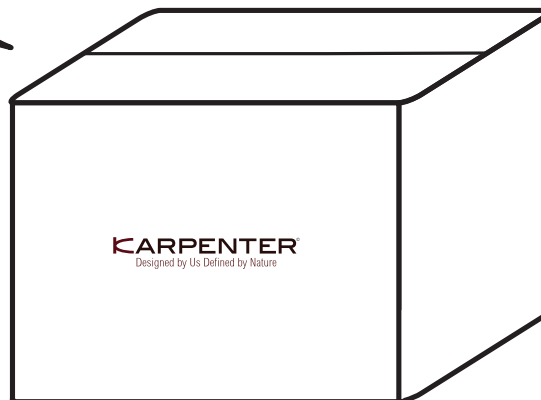
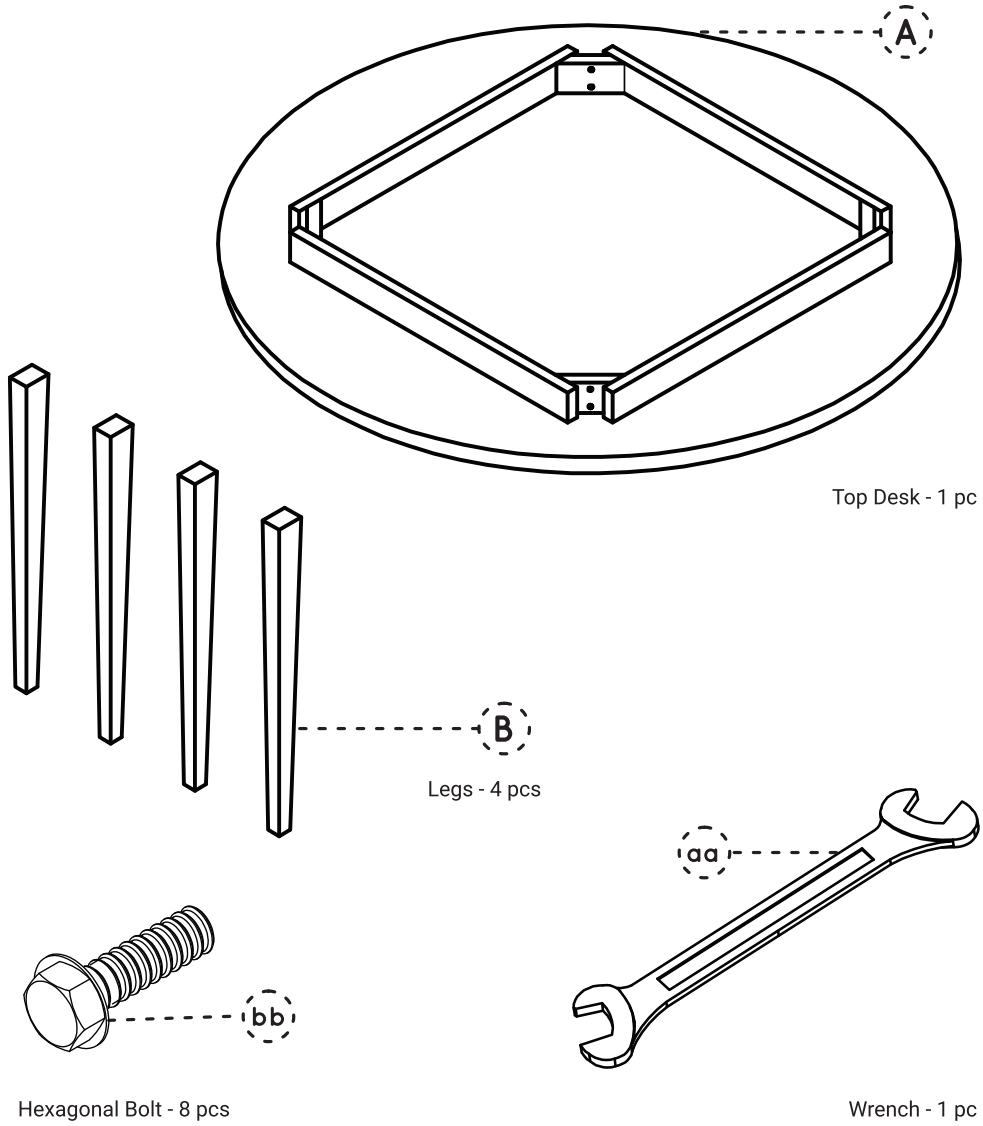
FIND  
THE LETTER  
(A, B, C,.) OR  
NUMBER (1, 2, 3,.)  
ON EACH PART.



PLACE ALL PARTS ON  
A CARPET OR  
FOAM FROM  
THE SHIPPING BOX.

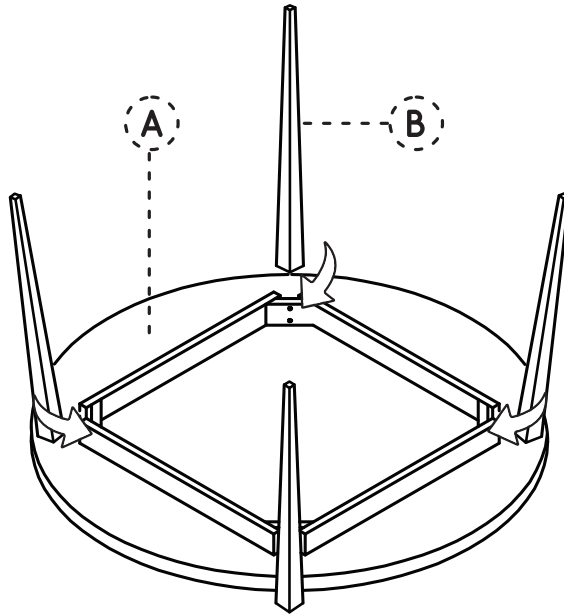


PRODUCT  
COMPONENTS  
INSIDE THE BOX



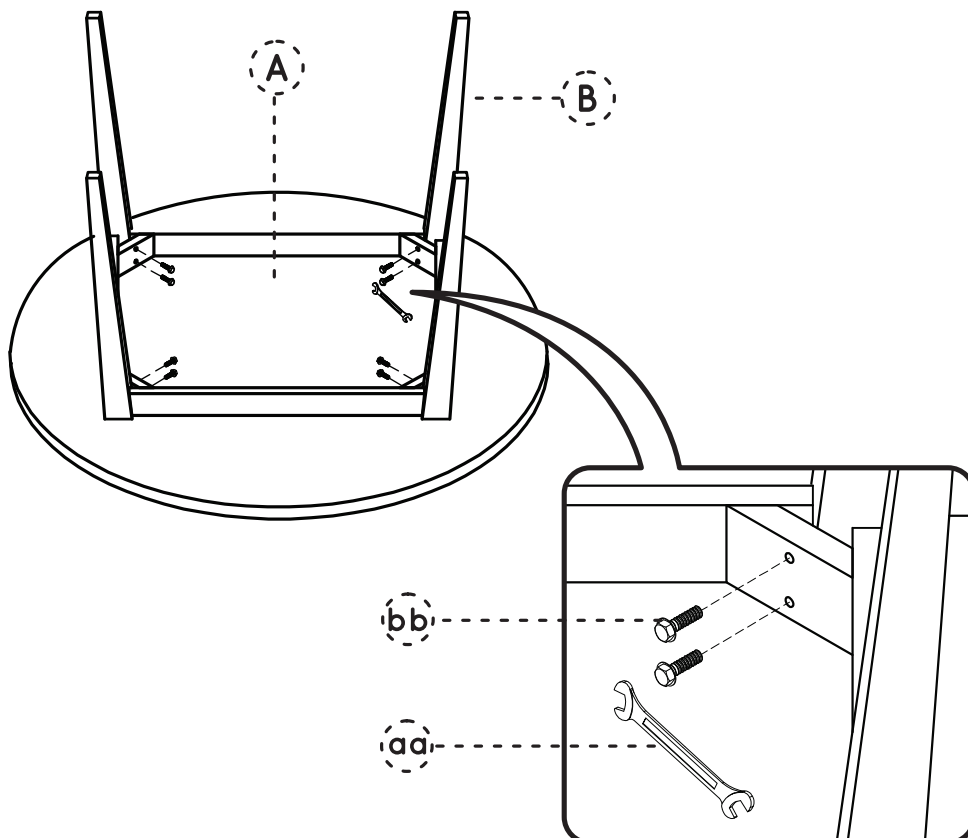
1

LAY ALL COMPONENTS ONTO CLEAN SMOOTH SURFACE AS CARPET OR CARDBOARD. PLEASE NOTE THE INDICATING LETTERS FOR HOMING GUIDANCE.



2

ATTACH LEG (B) TO THE TOP TABLE (A) BY ALIGNING INTO WOODEN CORNER HOLES, AND SECURED BY HEXAGONAL BOLTS (BB). TIGHTEN BY USING WRENCH (AA).



3

TURN THE TABLE UP AND VOILÀ,  
YOUR GRASSHOPPER DINING TABLE 120 IS READY TO USE.

